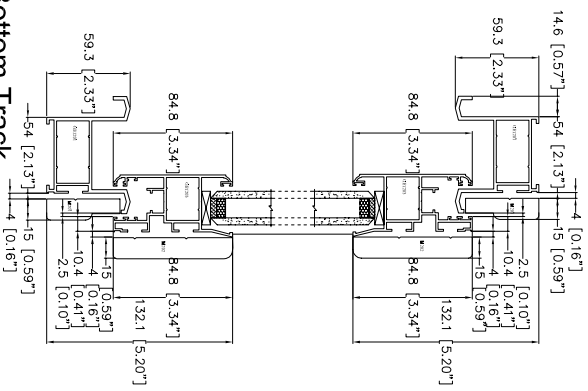
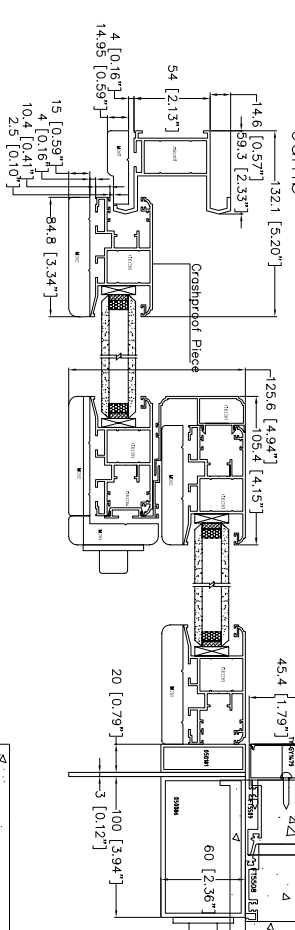


Top Track



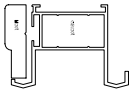
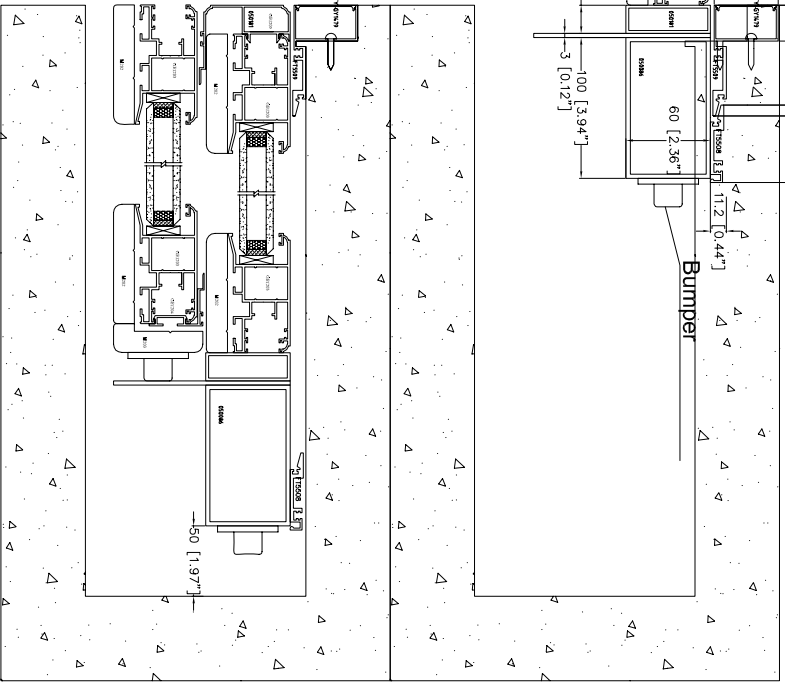
Bottom Track



Montoro Multi-Slide
with Pocket, Pan Track and
No Screen
Double Track

POCKET JAMB

Bumper



- NOTE:
1. All windows and doors viewed from inside.
 2. All dimensions are in mm unless otherwise mentioned.
 3. Only written dimensions to be followed.
 4. Handle level of all door is 965mm.
 5. Dashed line indicates outswing and real line indicates inswing.

PROJECT:
Section criterion

TITLE:
NO.b



Version: **1**

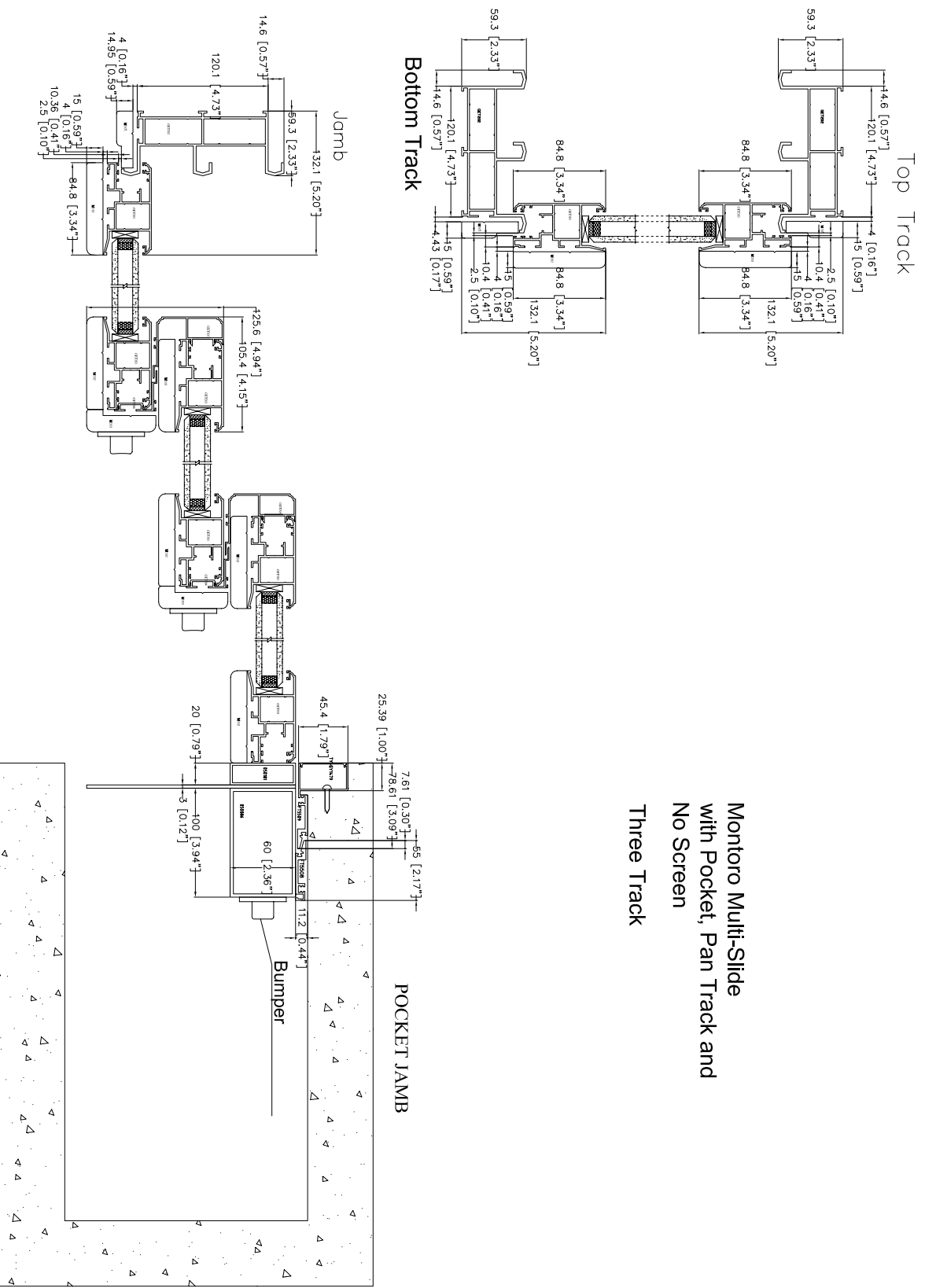
Designed:

Checked:

Scale: **1 : 1**

Date: **2006.03.27**

Drawing NO.: **1**



**Montoro Multi-Slide
with Pocket, Pan Track and
No Screen
Three Track**

- NOTE:**
1. All windows and doors viewed from inside.
 2. All dimensions are in mm unless otherwise mentioned.
 3. Only written dimensions to be followed.
 4. Handle level of all door is 965mm.
 5. Dashed line indicates outswing and real line indicates inswing.

PROJECT:
Section criterion

TITLE:
NO.c



Version: 1

Designed:

Checked:

Scale: 1 : 1

Date: 2006.03.27

Drawing NO.: 2